

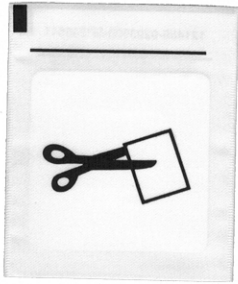


ZHE JIANG KAHN ELECTRONIC CO.,LTD

48- 1Nanshan Road, Qujiang District, Quzhou, Zhejiang, China 324022

TEL:0570-3665368

FAX: 05703665199



RF pocket tag

Textile

RF Pocket Tag Instruction Manual Recommendation

Application advice for the production process



Do not wash



Do not iron



Do not steam



Do not tumble dry



Do not dry clean



Do not wring



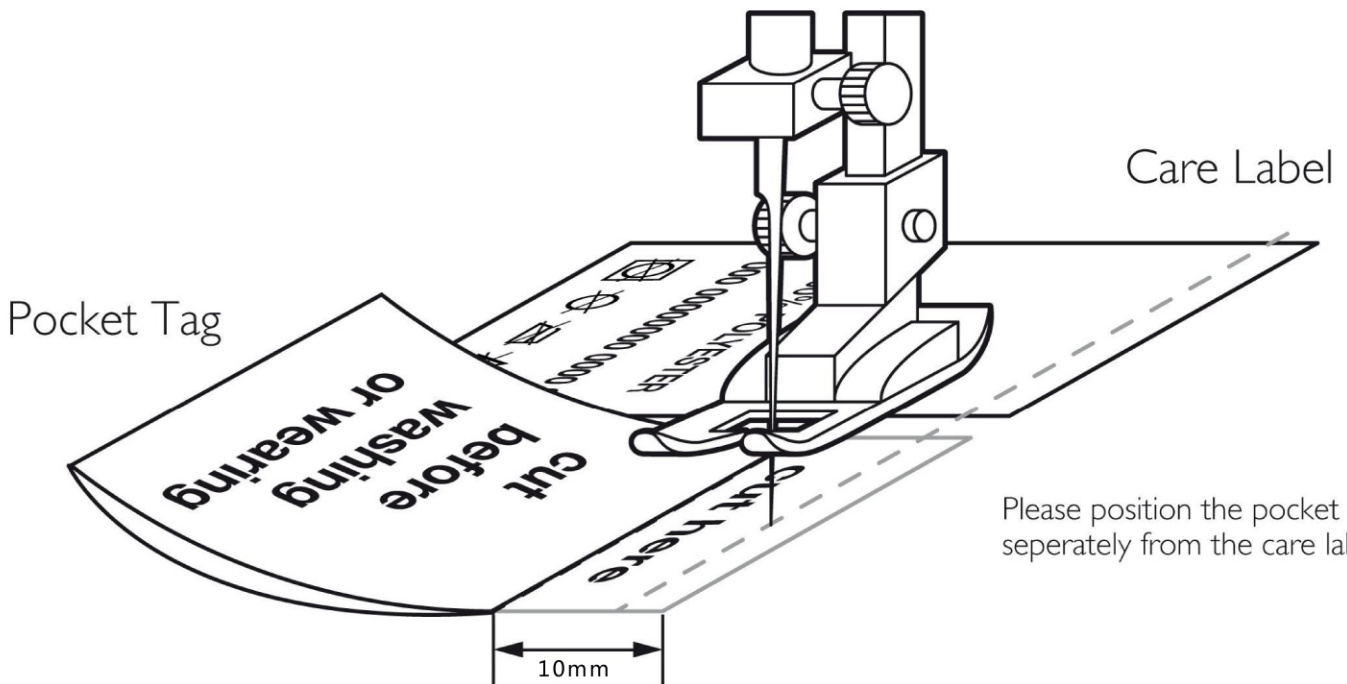
Do not bleach



No metal material application



No metal foil application



General Instructions

Please note:

All garments must have RF pocket tag sewed in!

RF pocket tag has to be sewed in after the washing!

Please do not wash the garments after the pocket tag has been attached!

Please do not iron, steam, tumble dry, dry clean, wring or bleach the Pocket tag.

It will destroy the RF tag.

Do not fold the pocket tag!

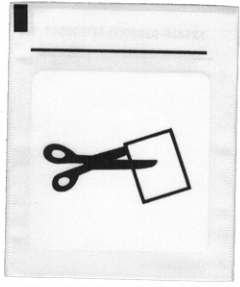


ZHE JIANG KAHN ELECTRONIC CO.,LTD

48- 1Nanshan Road, Qujiang District, Quzhou, Zhejiang, China 324022

TEL:0570-3665368

FAX: 05703665199



RF pocket tag

Textile

RF Pocket Tag Instruction Manual Recommendation

Application advice for the production process



Do not wash



Do not iron



Do not steam



Do not tumble dry



Do not Dry clean



Do not Wring



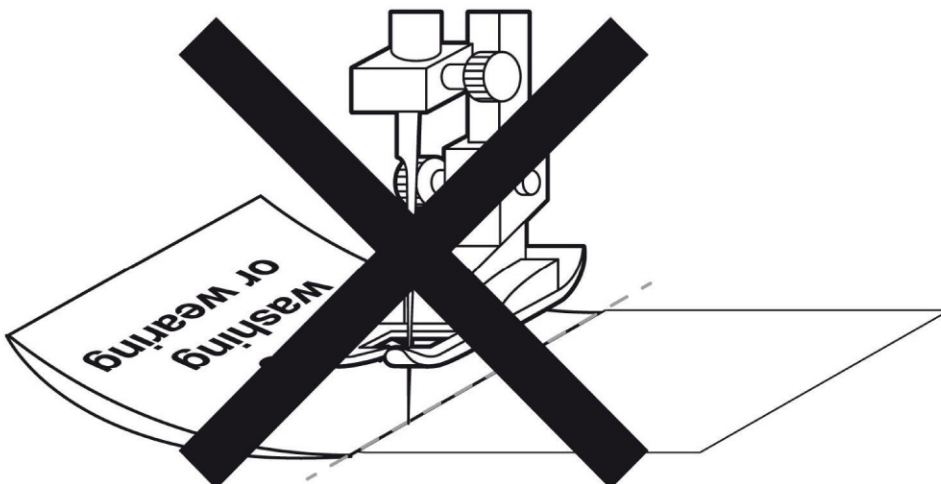
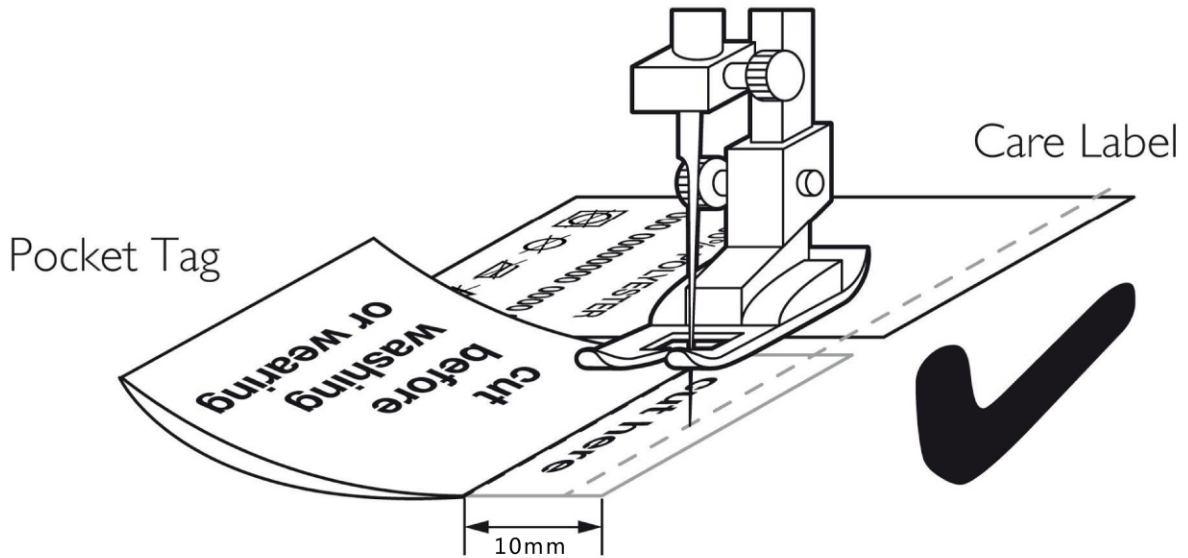
Do not bleach



No metal material application



No metal foil application



Do not stitch the pocket tag in the middle.
Stitch only in the 5mm area from top to the broken line!

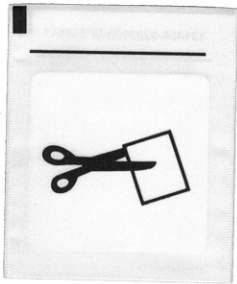


ZHE JIANG KAHN ELECTRONIC CO.,LTD

48- 1Nanshan Road, Qujiang District, Quzhou, Zhejiang, China 324022

TEL:0570-3665368

FAX: 05703665199



RF pocket tag

Textile / Women Blouses / Pullovers with no Pockets



Do not wash



Do not iron



Do not steam



Do not tumble dry



Do not Dry clean



Do not Wring



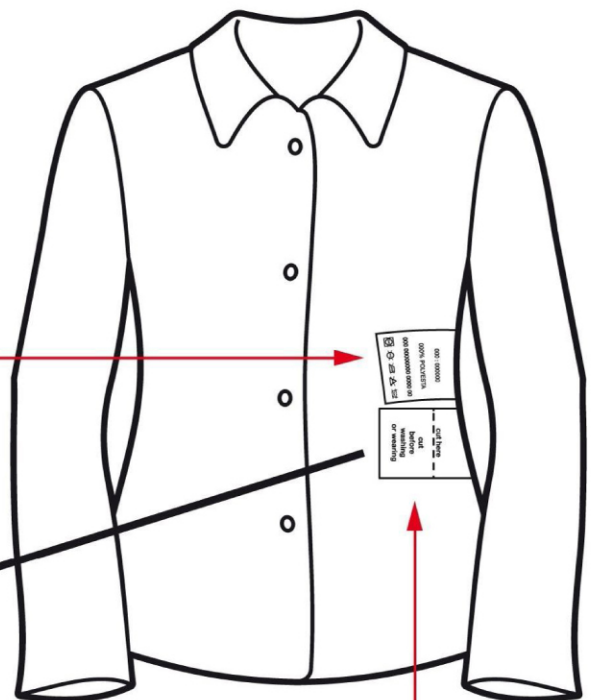
Do not bleach



No metal material application

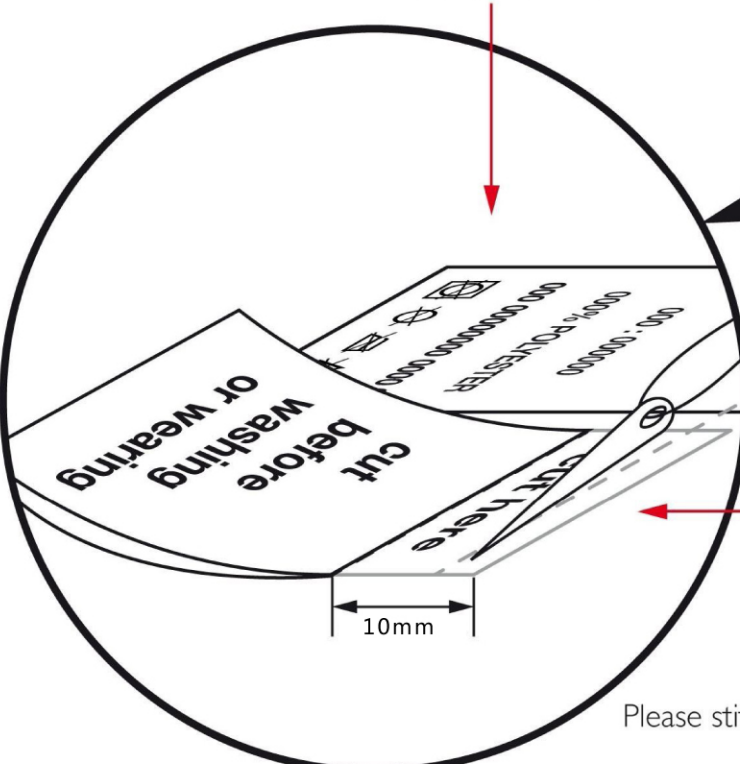


No metal foil application



Care Label

Pocket Tag



Please stitch only in the 5 mm area from top to the broken line.

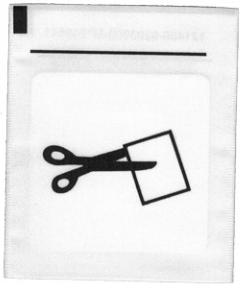


ZHE JIANG KAHN ELECTRONIC CO.,LTD

48- 1Nanshan Road, Qujiang District, Quzhou, Zhejiang, China 324022

TEL:0570-3665368

FAX: 05703665199



RF pocket tag

Textile

Shirts with open Pockets



Do not wash



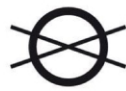
Do not iron



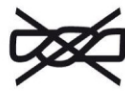
Do not steam



Do not tumble dry



Do not Dry clean



Do not Wring



Do not bleach

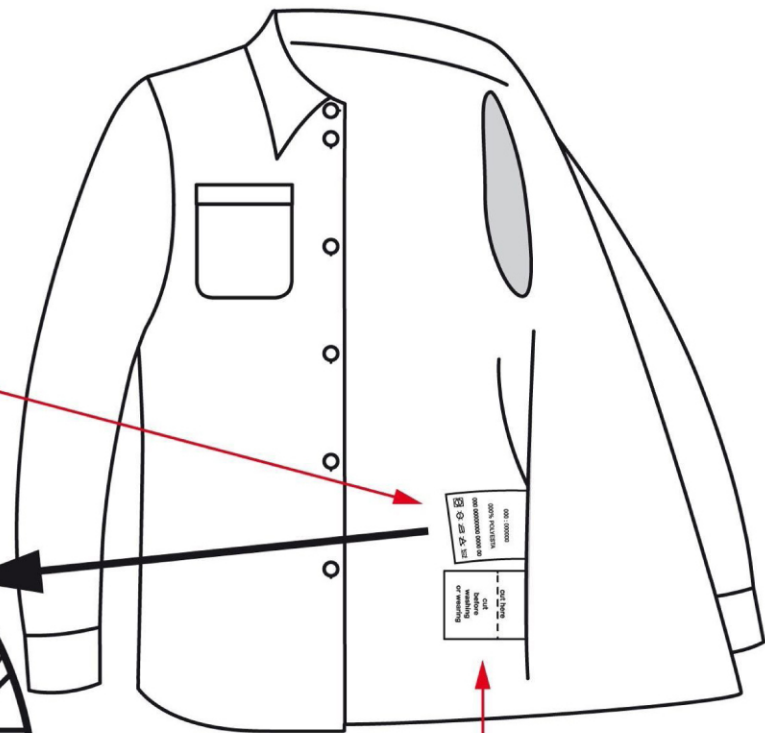
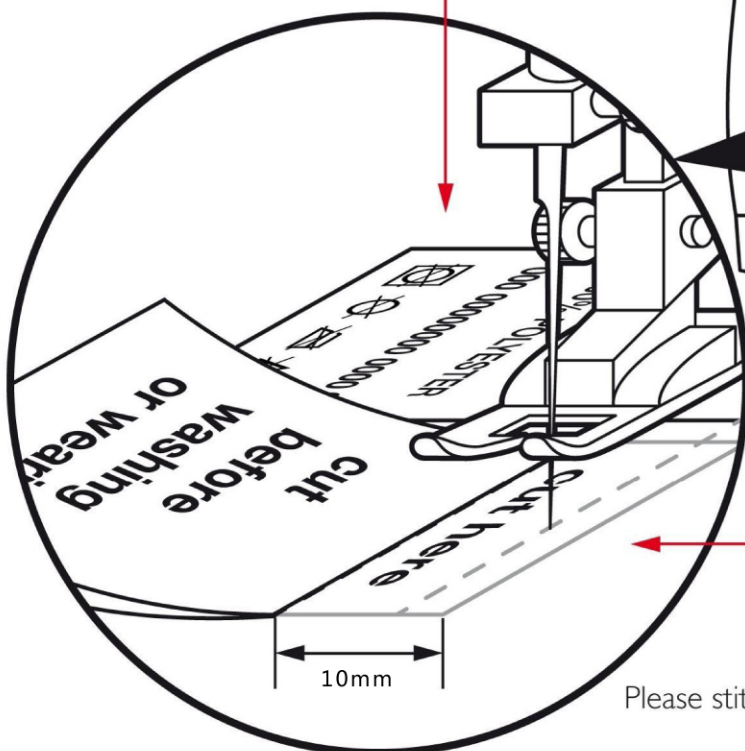


No metal material application



No metal foil application

Care Label



Pocket Tag

Please stitch only in the 5 mm area from top to the broken line.

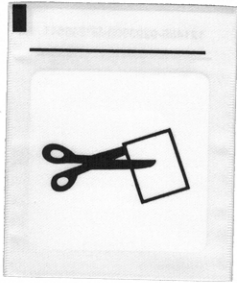


ZHE JIANG KAHN ELECTRONIC CO.,LTD

48- 1Nanshan Road, Qujiang District, Quzhou, Zhejiang, China 324022

TEL:0570-3665368

FAX: 05703665199



RF pocket tag

Textile

Jackets / Coats with open Pockets



Do not wash



Do not iron



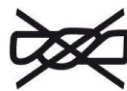
Do not steam



Do not tumble dry



Do not Dry clean



Do not Wring



Do not bleach



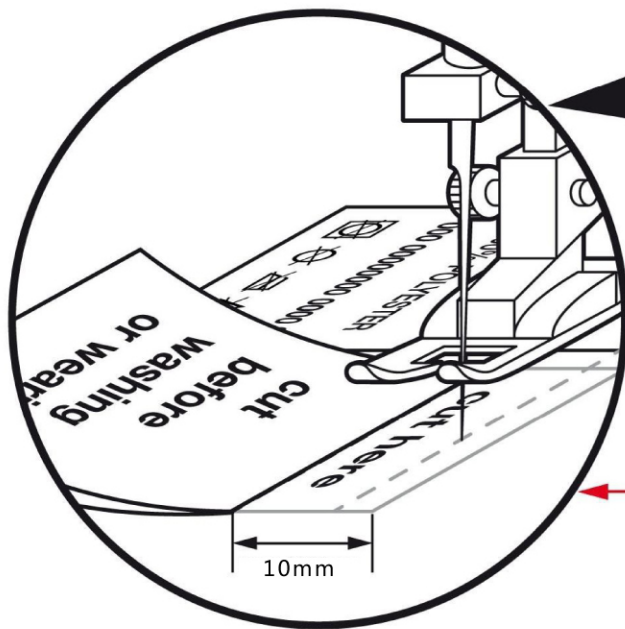
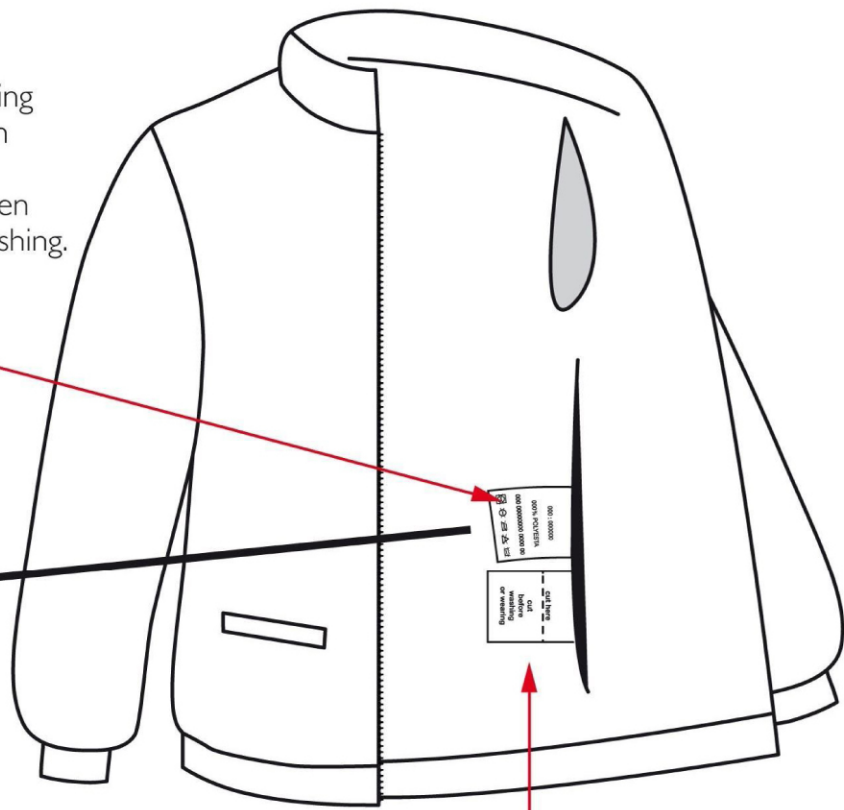
No metal material application



No metal foil application

Stitch RF tag with lining when inserting Wash care (2 mm distance between the two labels).
If the jackets need to be washed, then attach RF tag inside pocket after washing.

Care Label



Pocket Tag

Please stitch only in the 5 mm area from top to the broken line.

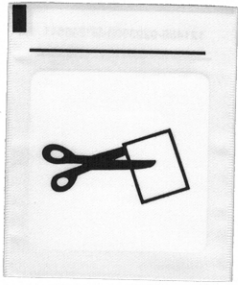


ZHE JIANG KAHN ELECTRONIC CO.,LTD

48- 1Nanshan Road, Qujiang District, Quzhou, Zhejiang, China 324022

TEL:0570-3665368

FAX: 05703665199



RF pocket tag

Textile Jackets / Coats with open Pockets



Do not wash



Do not iron



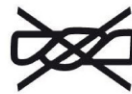
Do not steam



Do not
tumble dry



Do not
Dry clean



Do not Wring



Do not bleach



No metal material
application



No metal foil
application



RF tag should be placed on wearer left side seam below the washcare label.



RF tag place at inside of inner welt pocket bone.



RF tag can be placed at inner welt pocket inner side.

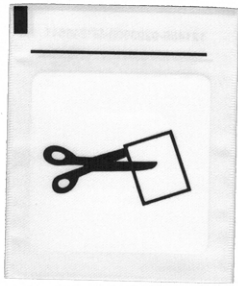


ZHE JIANG KAHN ELECTRONIC CO.,LTD

48- 1Nanshan Road, Qujiang District, Quzhou, Zhejiang, China 324022

TEL:0570-3665368

FAX: 05703665199



RF pocket tag

Textile

T-Shirts, Longsleeves, Sweatshirts



Do not wash



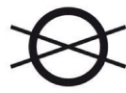
Do not iron



Do not steam



Do not tumble dry



Do not Dry clean



Do not Wring



Do not bleach



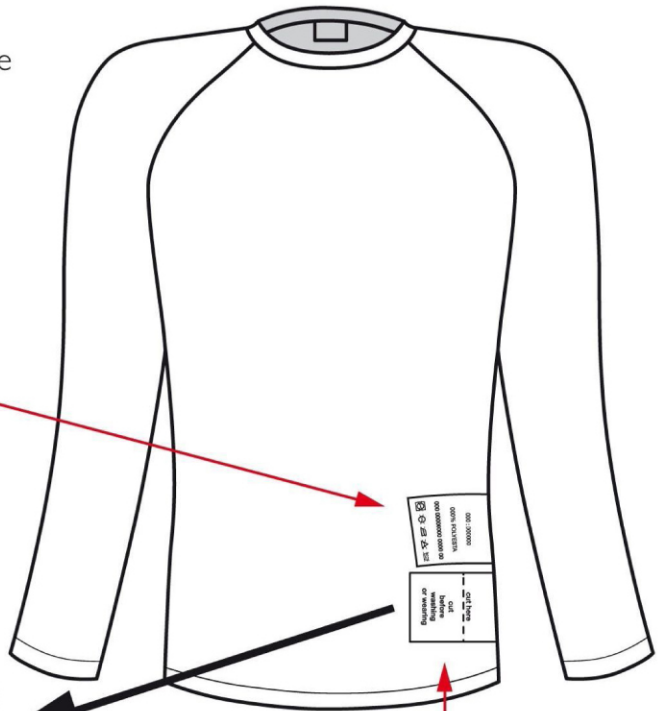
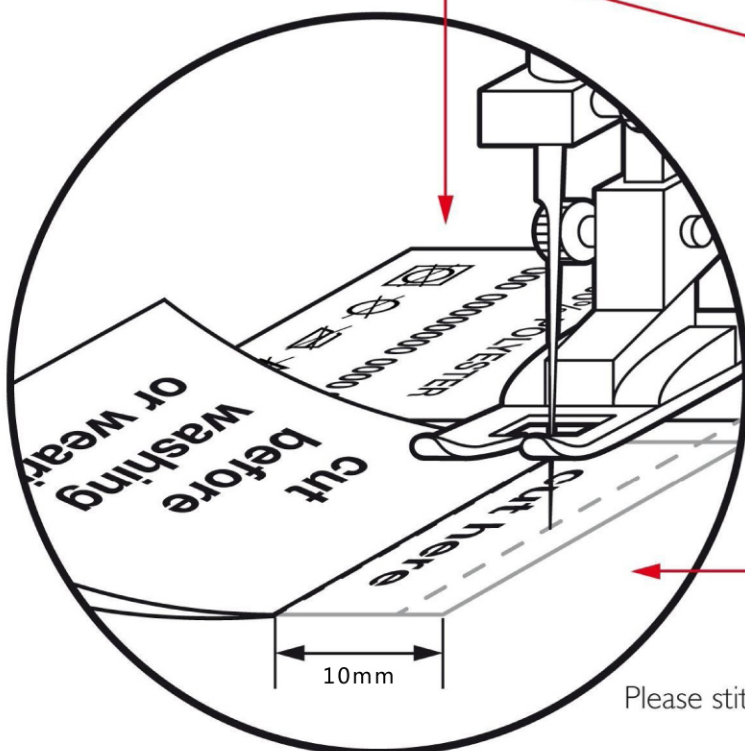
No metal material application



No metal foil application

If the outseam is twin needed, RF tag can be stitched while attaching Wash Care (2 mm distance between the two labels).
If the garment needs to be washed, then attach RF tag inside picket after washing.

Care Label



Pocket Tag

Please stitch only in the 5 mm area from top to the broken line.

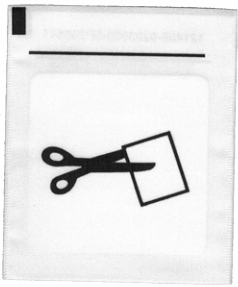


ZHE JIANG KAHN ELECTRONIC CO.,LTD

48- 1Nanshan Road, Qujiang District, Quzhou, Zhejiang, China 324022

TEL:0570-3665368

FAX: 05703665199



RF pocket tag

Textile / Women Dresses – Pocket Tag



Do not wash



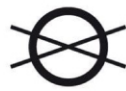
Do not iron



Do not steam



Do not
tumble dry



Do not
Dry clean



Do not Wring



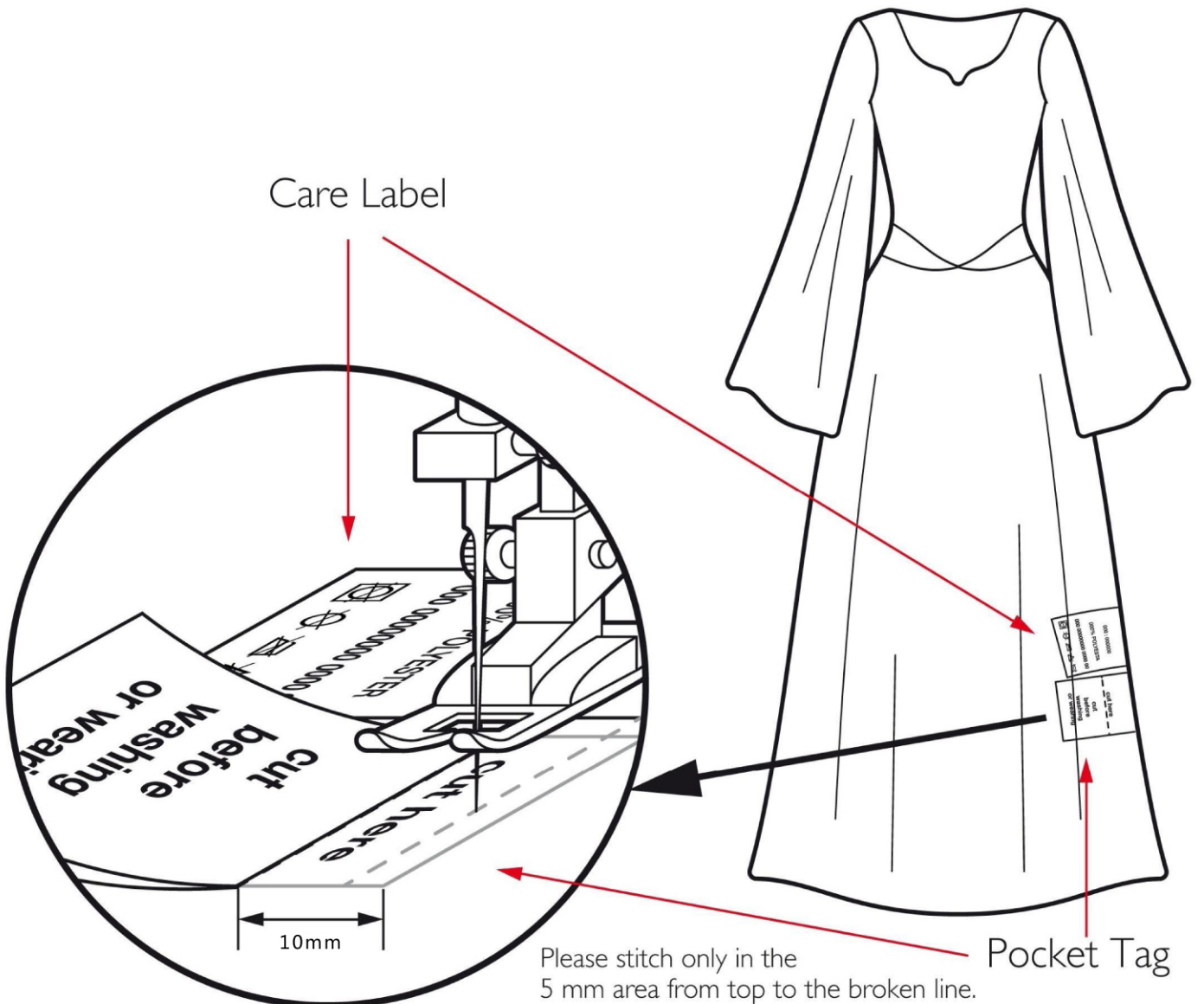
Do not bleach



No metal material
application



No metal foil
application



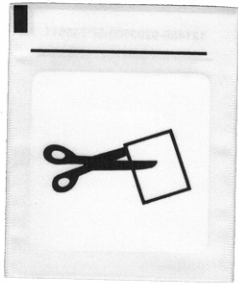


ZHE JIANG KAHN ELECTRONIC CO.,LTD

48- 1Nanshan Road, Qujiang District, Quzhou, Zhejiang, China 324022

TEL:0570-3665368

FAX: 05703665199



RF pocket tag

Textile / Women Skirt – Pocket Tag



Do not wash



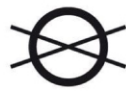
Do not iron



Do not steam



Do not tumble dry



Do not Dry clean



Do not Wring



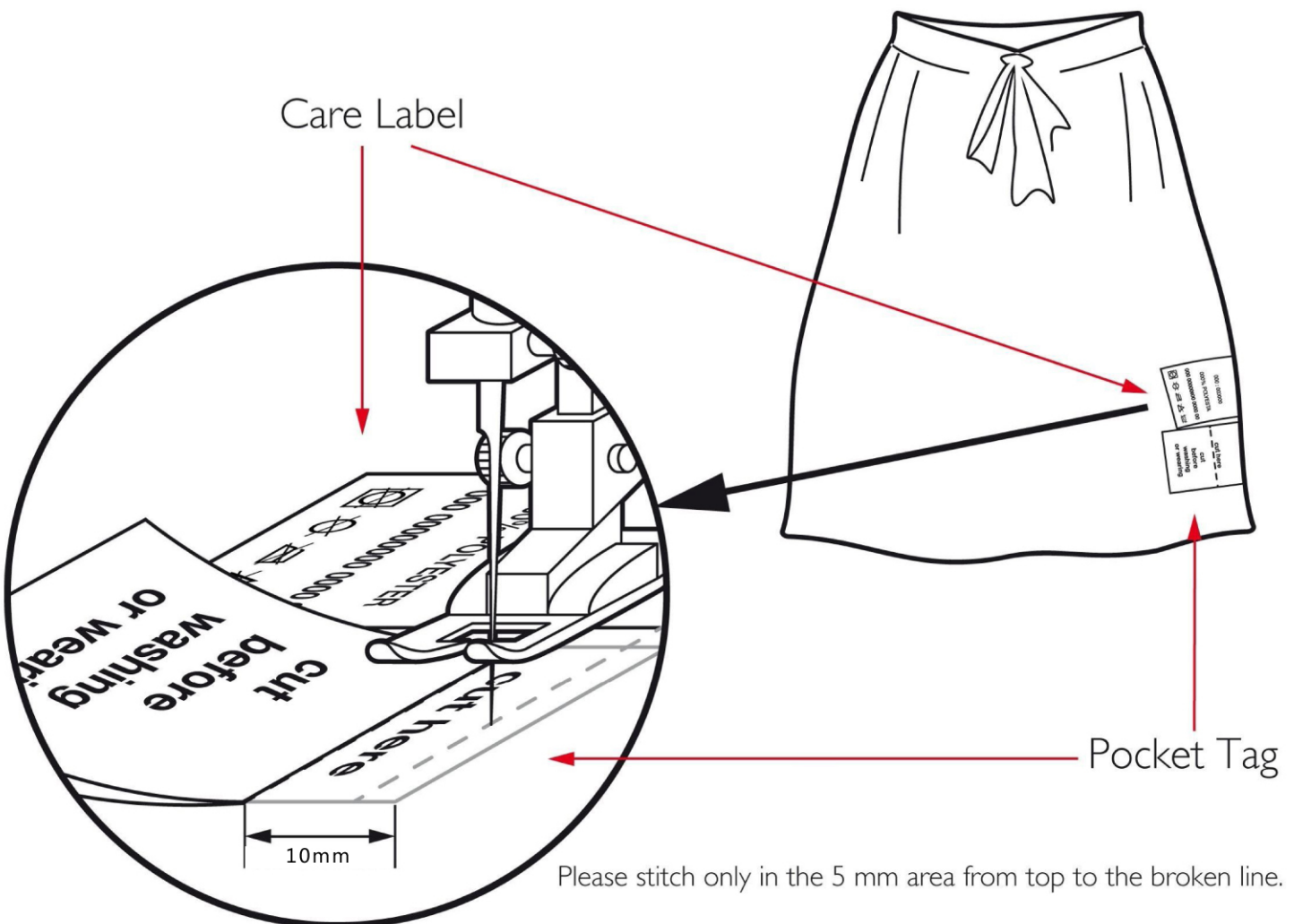
Do not bleach



No metal material application



No metal foil application



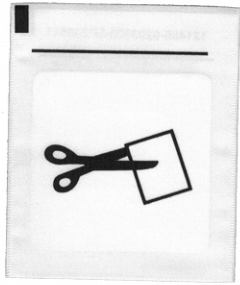


ZHE JIANG KAHN ELECTRONIC CO.,LTD

48- 1Nanshan Road, Qujiang District, Quzhou, Zhejiang, China 324022

TEL:0570-3665368

FAX: 05703665199



RF pocket tag

Textile Trousers Version I – Pocket Tag



Do not wash



Do not iron



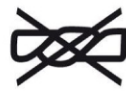
Do not steam



Do not tumble dry



Do not Dry clean



Do not Wring



Do not bleach



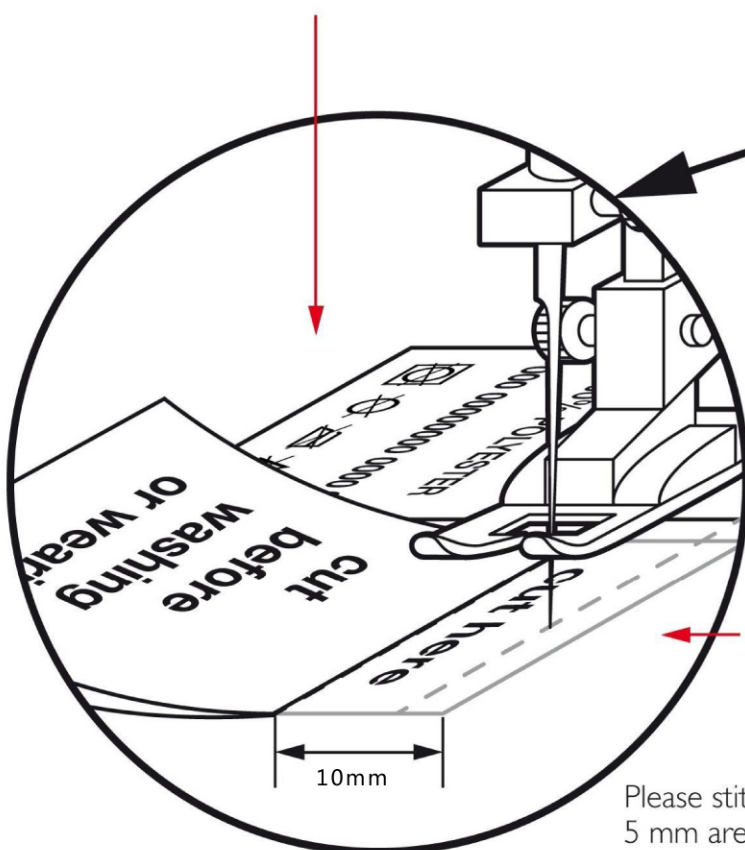
No metal material application



No metal foil application

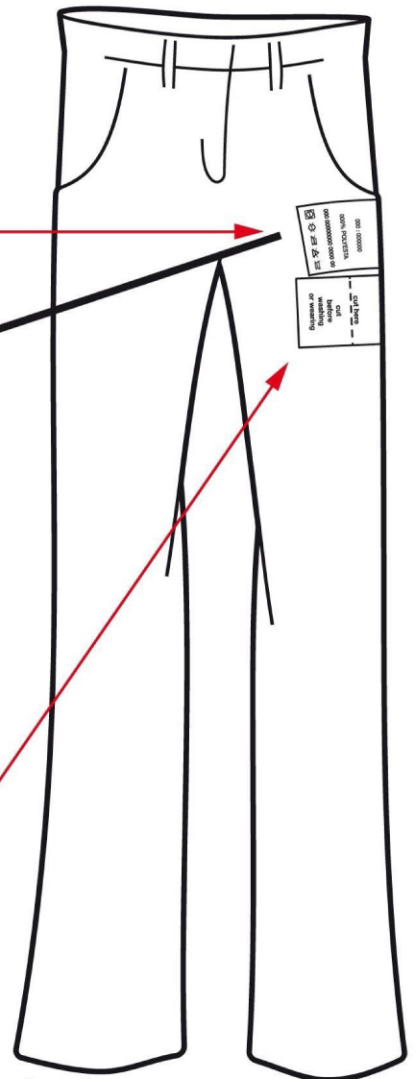
If the outseam has no twin needle stitch, put the RF label in outseam.

Care Label



Pocket Tag

Please stitch only in the 5 mm area from top to the broken line.



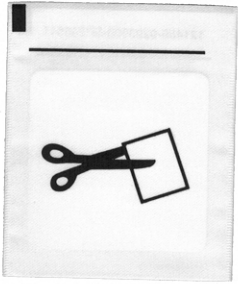


ZHE JIANG KAHN ELECTRONIC CO.,LTD

48- 1Nanshan Road, Qujiang District, Quzhou, Zhejiang, China 324022

TEL:0570-3665368

FAX: 05703665199



RF pocket tag

Textile Pyjamas / Sweat Suits



Do not wash



Do not iron



Do not steam



Do not tumble dry



Do not Dry clean



Do not Wring



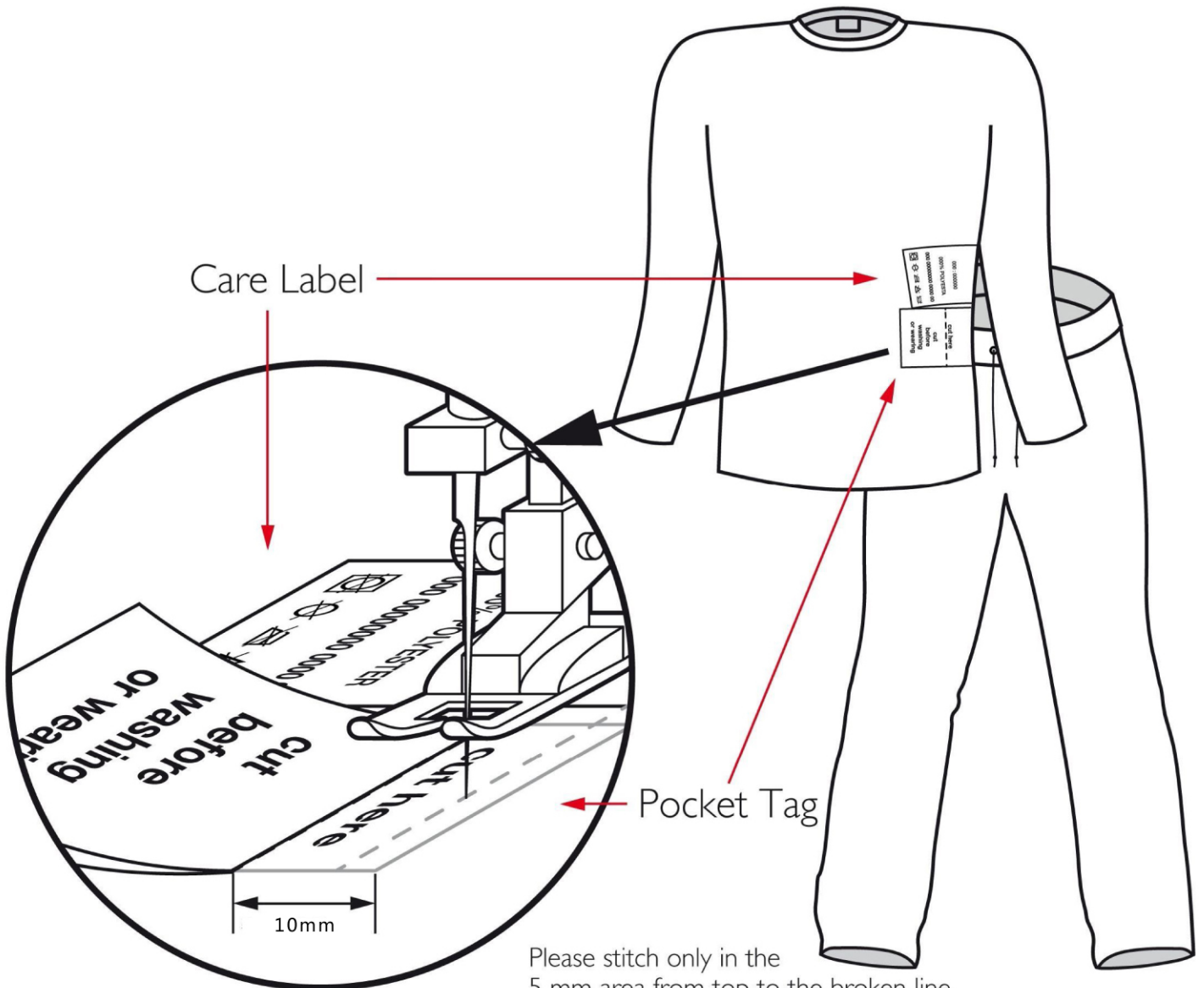
Do not bleach



No metal material application



No metal foil application



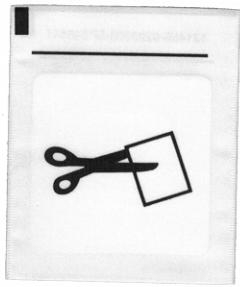


ZHE JIANG KAHN ELECTRONIC CO.,LTD

48- 1Nanshan Road, Qujiang District, Quzhou, Zhejiang, China 324022

TEL:0570-3665368

FAX: 05703665199



RF pocket tag

Textile

Trousers Version III – Pocket Tag



Do not wash



Do not iron



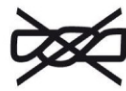
Do not steam



Do not tumble dry



Do not Dry clean



Do not Wring



Do not bleach

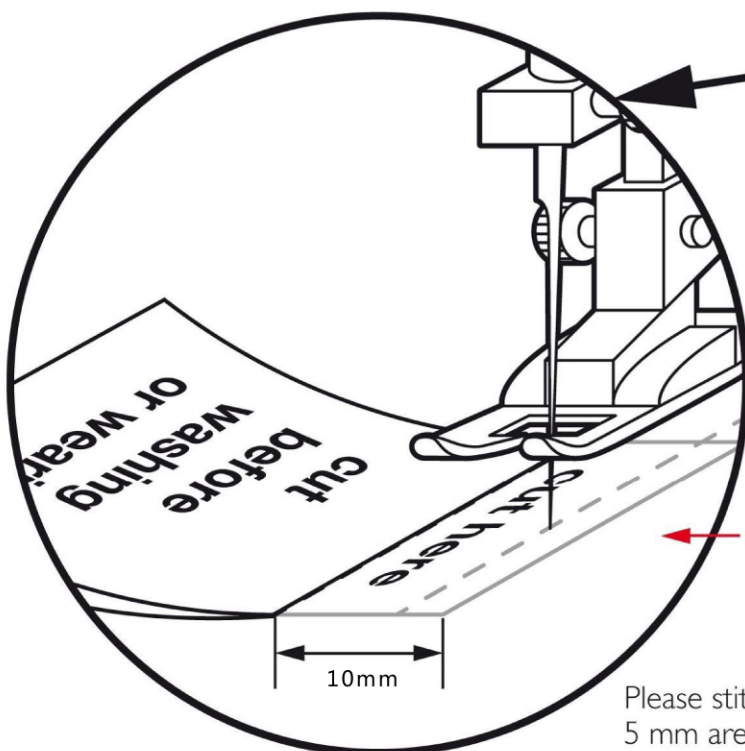


No metal material application



No metal foil application

If the RF label can not be put as in Version I or II, then put the label below the pocket bag in the left hand side.



Pocket Tag

Please stitch only in the 5 mm area from top to the broken line.

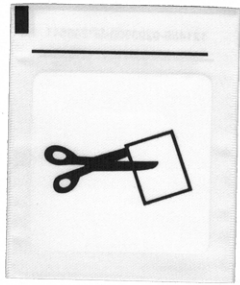


ZHE JIANG KAHN ELECTRONIC CO.,LTD

48- 1Nanshan Road, Qujiang District, Quzhou, Zhejiang, China 324022

TEL:0570-3665368

FAX: 05703665199



RF pocket tag

Textile Trousers Version II – Pocket Tag



Do not wash



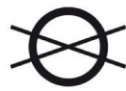
Do not iron



Do not steam



Do not
tumble dry



Do not
Dry clean



Do not Wring



Do not bleach



No metal material
application

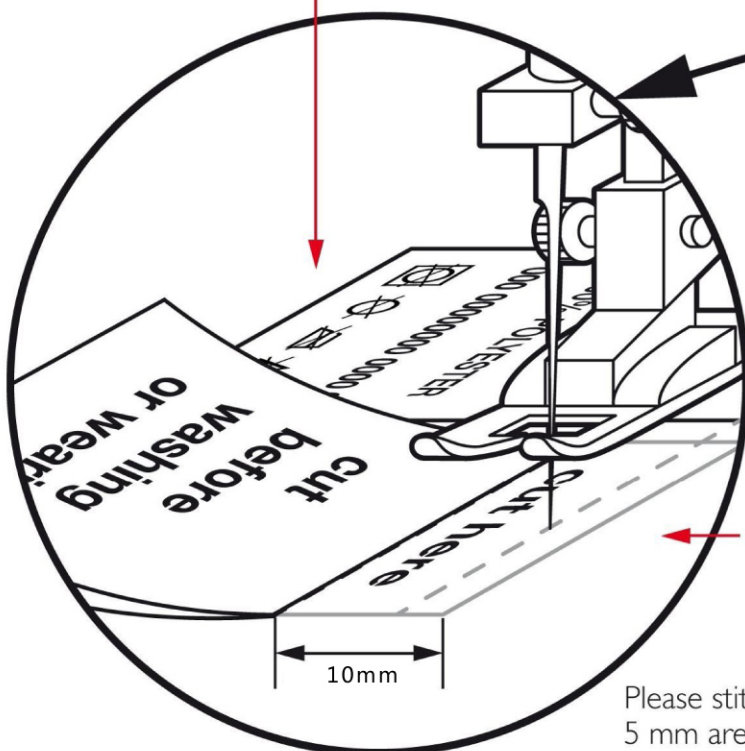


No metal foil
application

If the trousers has binding, put the label in the W/B bottom binding in the left hand.



Care Label



Pocket Tag

Please stitch only in the 5 mm area from top to the broken line.

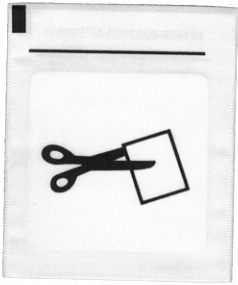


ZHE JIANG KAHN ELECTRONIC CO.,LTD

48- 1Nanshan Road, Qujiang District, Quzhou, Zhejiang, China 324022

TEL:0570-3665368

FAX: 05703665199



RF pocket tag

Textile / Women Leggings – Pocket Tag



Do not wash



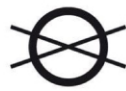
Do not iron



Do not steam



Do not
tumble dry



Do not
Dry clean



Do not Wring



Do not bleach



No metal material
application

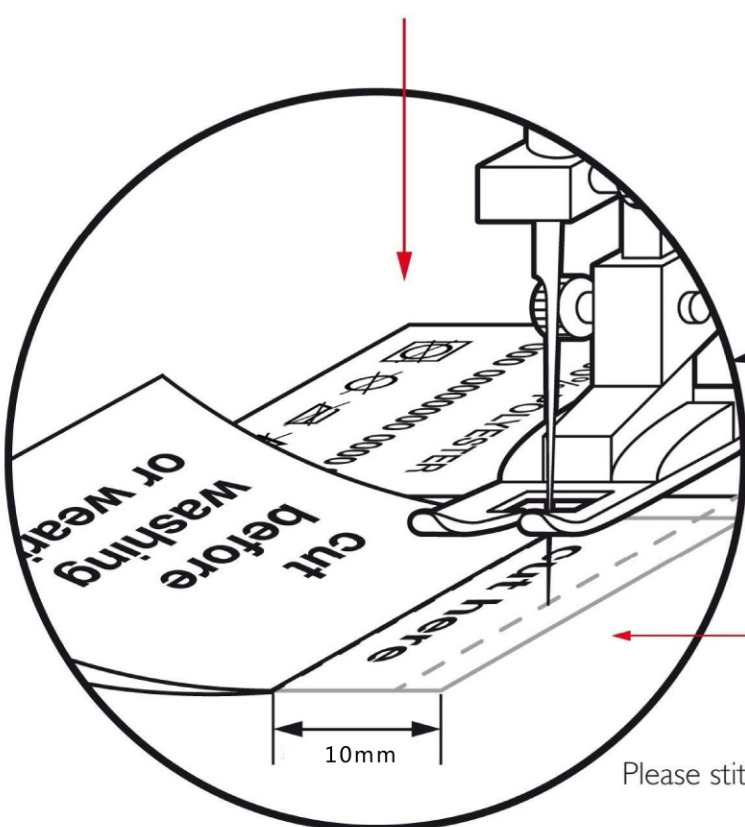


No metal foil
application

Please sew in pocket tag and care label separately!



Care Label



Pocket Tag

Please stitch only in the 5 mm area from top to the broken line.

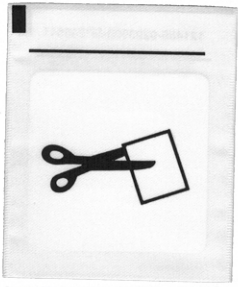


ZHE JIANG KAHN ELECTRONIC CO.,LTD

48- 1Nanshan Road, Qujiang District, Quzhou, Zhejiang, China 324022

TEL:0570-3665368

FAX: 05703665199



RF pocket tag

Textile Kids and Baby Clothes



Do not wash



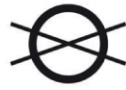
Do not iron



Do not steam



Do not
tumble dry



Do not
Dry clean



Do not Wring



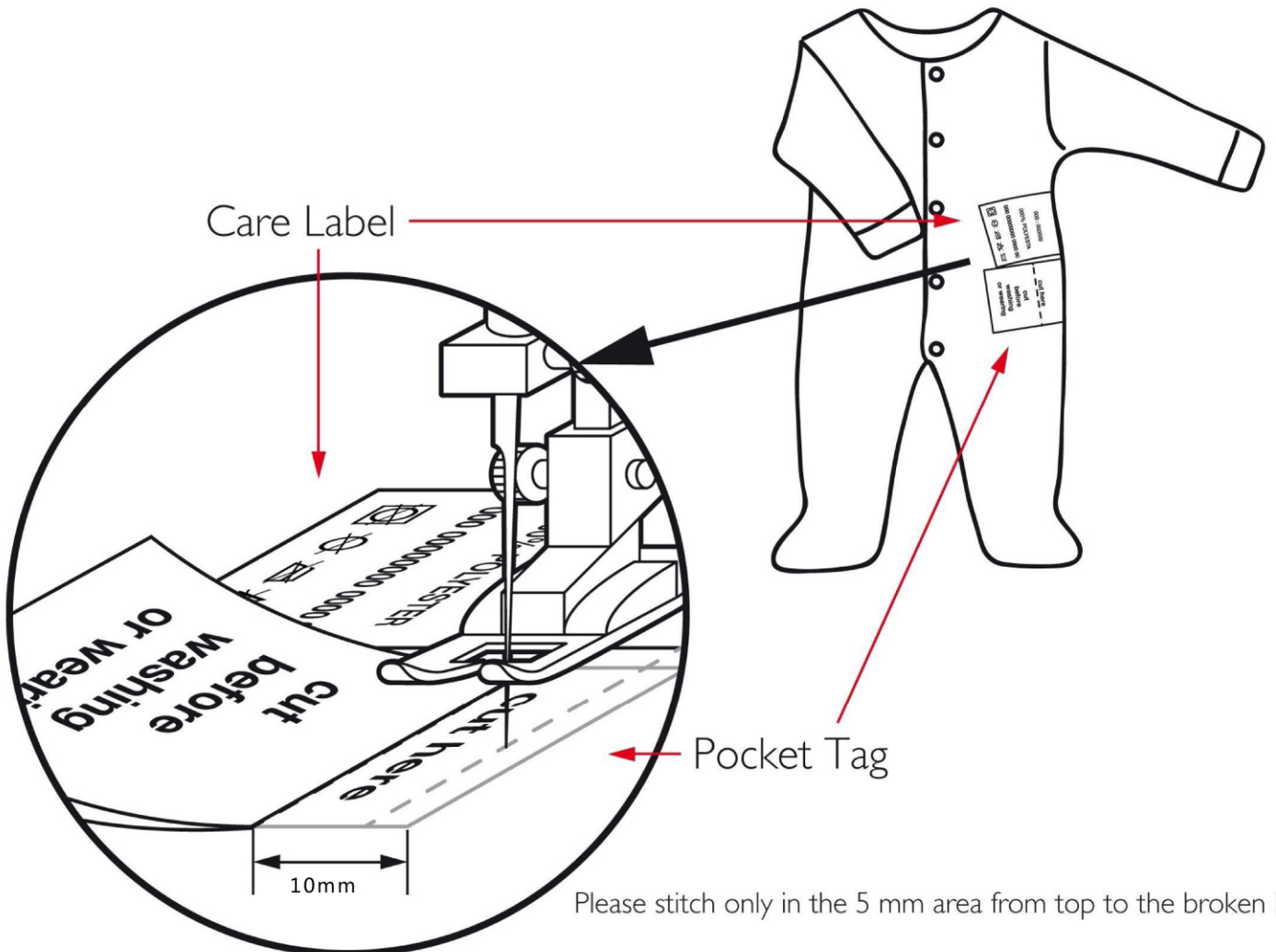
Do not bleach



No metal material
application



No metal foil
application



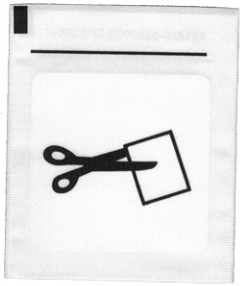


ZHE JIANG KAHN ELECTRONIC CO.,LTD

48- 1Nanshan Road, Qujiang District, Quzhou, Zhejiang, China 324022

TEL:0570-3665368

FAX: 05703665199



RF pocket tag

Textile
Accessories / Scarfs



Do not wash



Do not iron



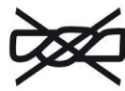
Do not steam



Do not
tumble dry



Do not
Dry clean



Do not Wring



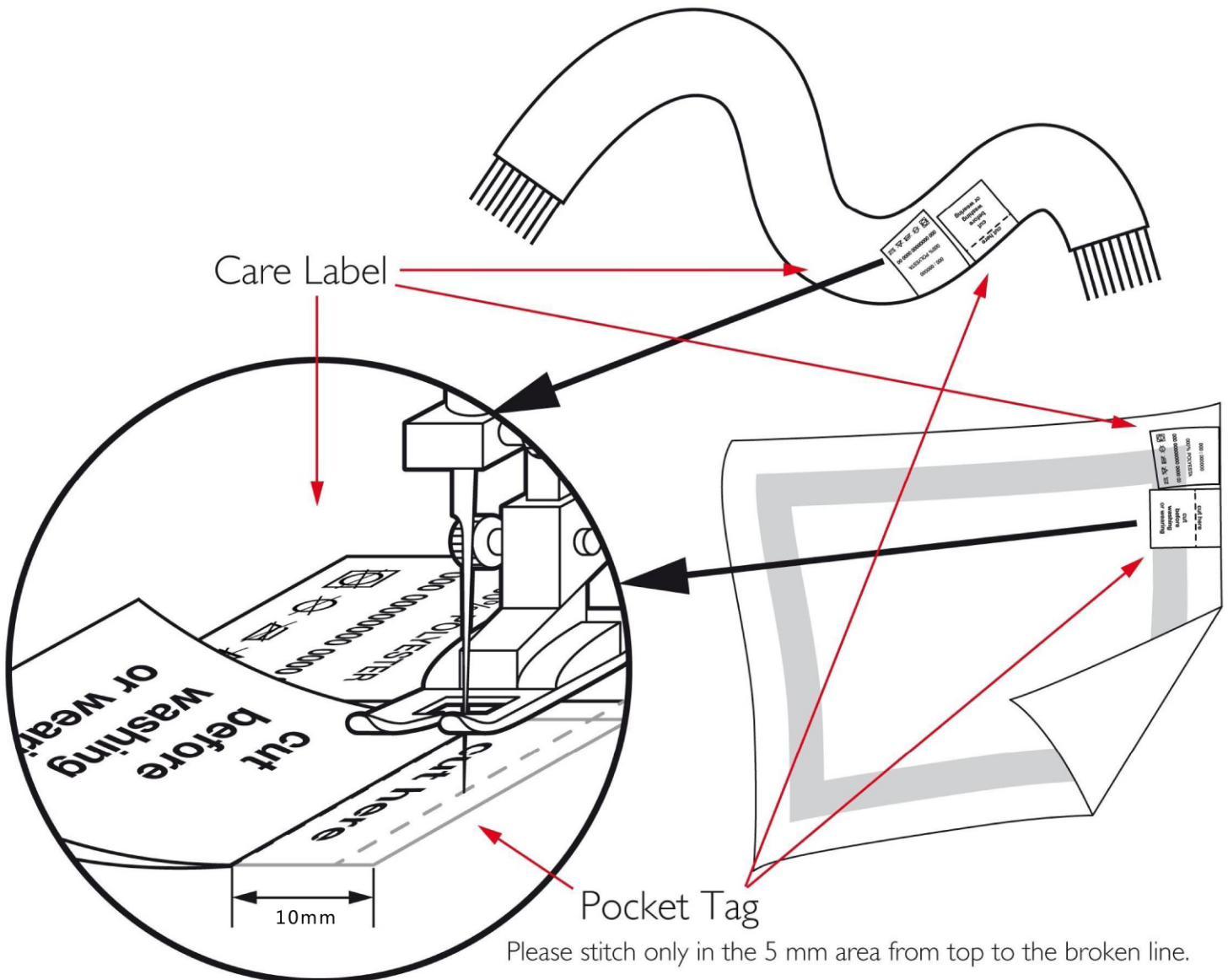
Do not bleach



No metal material
application



No metal foil
application



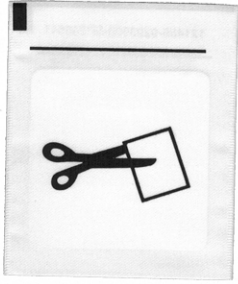


ZHE JIANG KAHN ELECTRONIC CO.,LTD

48- 1Nanshan Road, Qujiang District, Quzhou, Zhejiang, China 324022

TEL:0570-3665368

FAX: 05703665199



RF pocket tag

Textile Gloves – Pocket Tag



Do not wash



Do not iron



Do not steam



Do not
tumble dry



Do not
Dry clean



Do not Wring



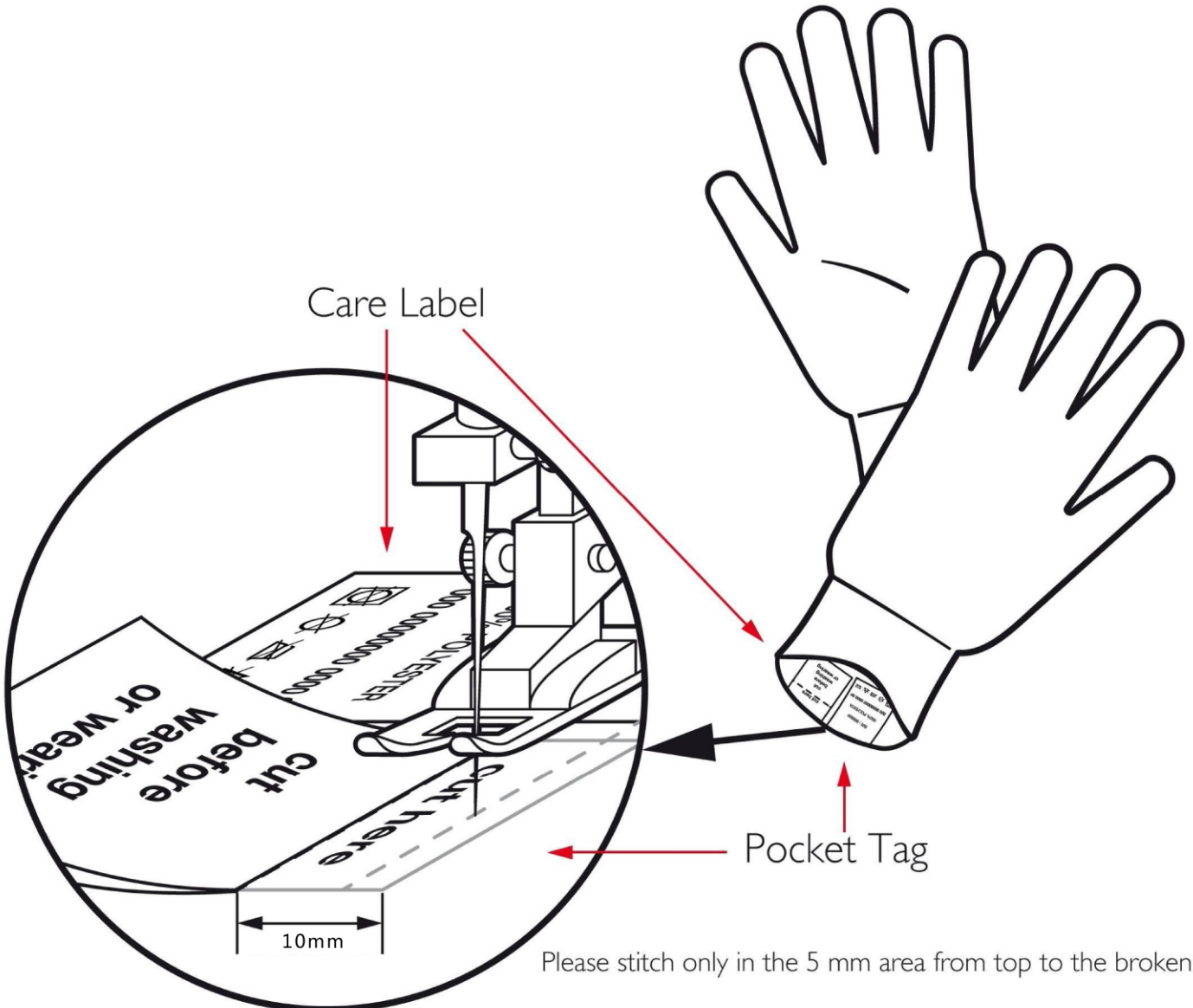
Do not bleach



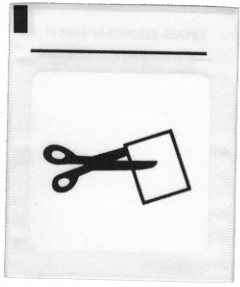
No metal material
application



No metal foil
application



Please stitch only in the 5 mm area from top to the broken line.



RF pocket tag

Textile
Caps / Hats – Pocket Tag



Do not wash



Do not iron



Do not steam



Do not tumble dry



Do not Dry clean



Do not Wring



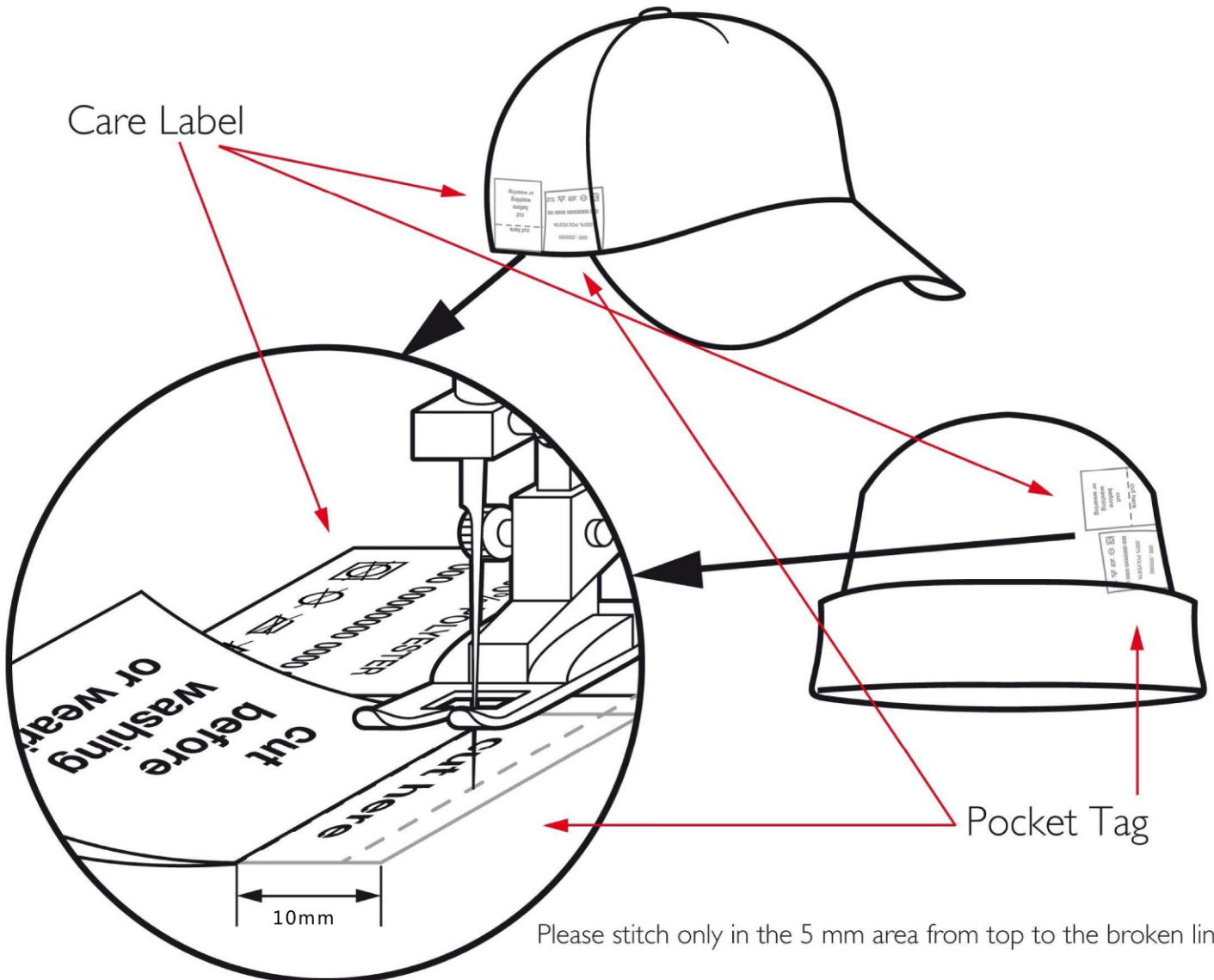
Do not bleach



No metal material application



No metal foil application



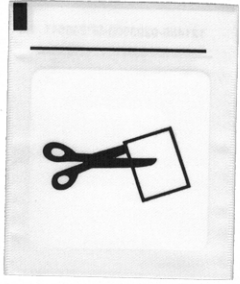


ZHE JIANG KAHN ELECTRONIC CO.,LTD

48- 1Nanshan Road, Qujiang District, Quzhou, Zhejiang, China 324022

TEL:0570-3665368

FAX: 05703665199



RF pocket tag

Textile / Women Lingerie – Pocket Tag



Do not wash



Do not iron



Do not steam



Do not tumble dry



Do not Dry clean



Do not Wring



Do not bleach

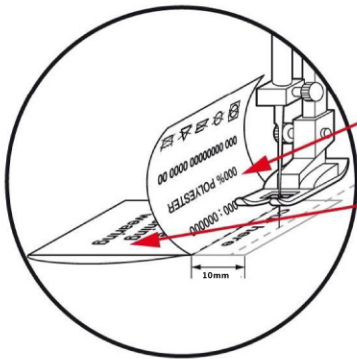


No metal material application



No metal foil application

Please sew in the pocket tag under the care label!



Care Label

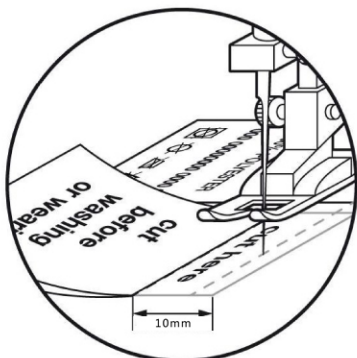
Pocket Tag

panties



Please stitch only in the 5 mm area from top to the broken line.

Please sew in the pocket tag separately from the care label!



Care Label

Pocket Tag

bra



Please stitch only in the 5 mm area from top to the broken line.